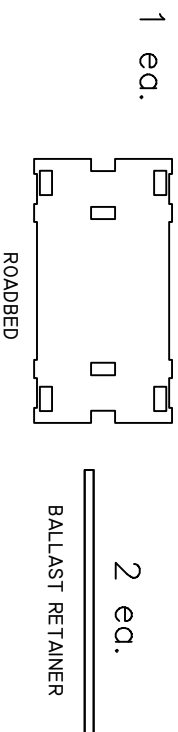
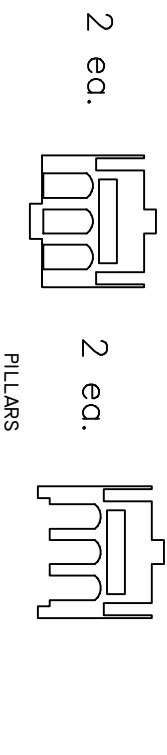
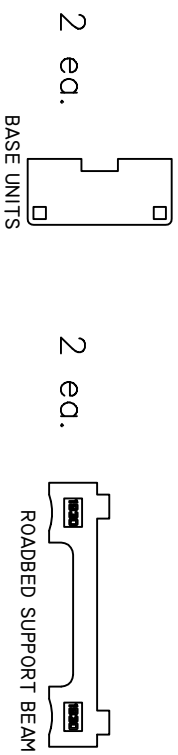
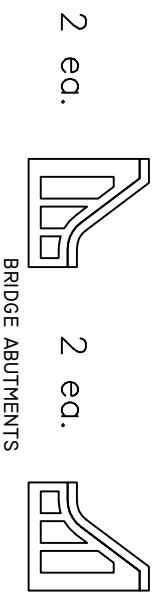


LIONEL® B - 56 UNDERPASS STREET BRIDGE

BRIDGE ASSEMBLY



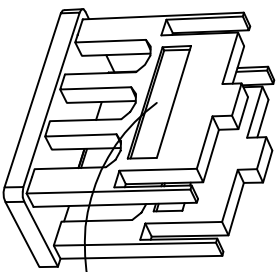
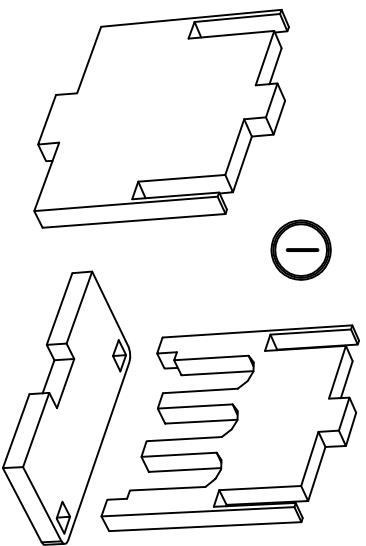
NOTE * MAKE SURE YOU HAVE THE PARTS AND QUANTITIES LISTED HERE BEFORE STARTING ASSEMBLY

- GENERAL PREPARATION NOTES**
- USE SMALL FILE INCLUDED IN KIT TO CLEAN UP ALL TAB & NOTCH INSIDE CORNERS
 - TEST FIT ALL PIECES PRIOR TO FINAL ASSEMBLY
 - USE FINE GRIT SANDPAPER TO REMOVE ANY ROUGH EDGES OF PARTS BEFORE ASSEMBLY
 - USE CARPENTERS WOOD GLUE TO ATTACH PIECES TOGETHER

① USE GLUE TO ATTACH BRIDGE END PILLARS TO BASE UNITS USING TABS & NOTCHES TO ALIGN

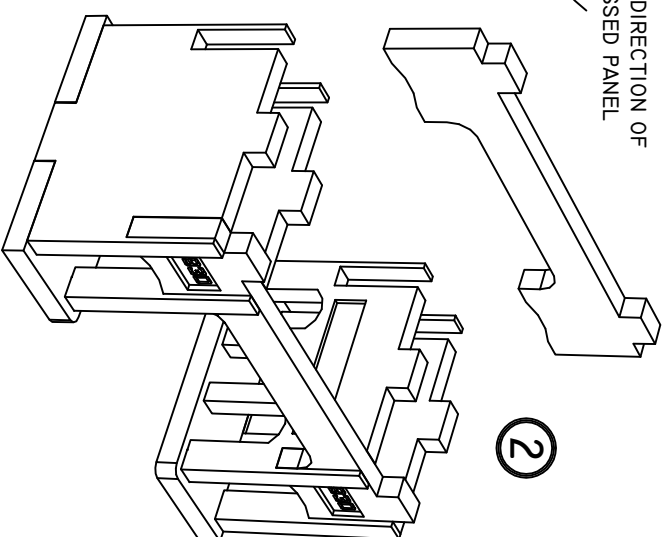
REPEAT PROCESS WITH REMAINING INTERIOR BRIDGE PILLARS USING GLUE TO ATTACH PILLARS TO BASE UNITS USING TABS & NOTCHES TO ALIGN PILLARS

ROADBED CAN BE USED WITHOUT GLUE TO SQUARE UP PIECES WHILE GLUE DRIES

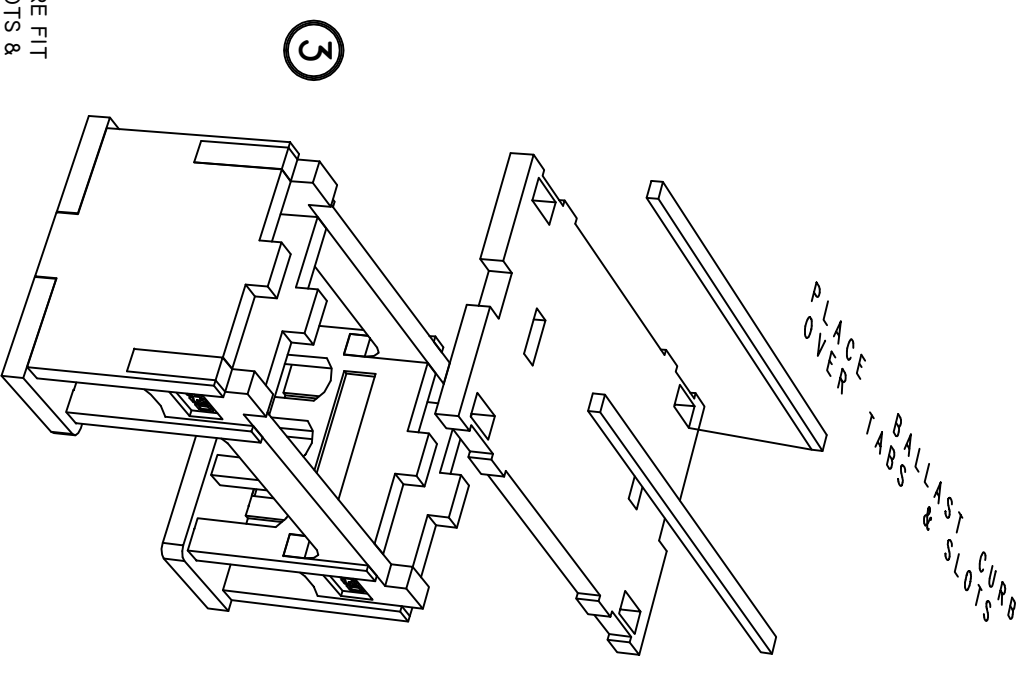


NOTE DIRECTION OF RECESSED PANEL

② AFTER FILING TO ENSURE FIT BRUSH GLUE INTO SLOTS & INSERT ROAD BED SUPPORT BEAMS INTO PILLAR SLOTS

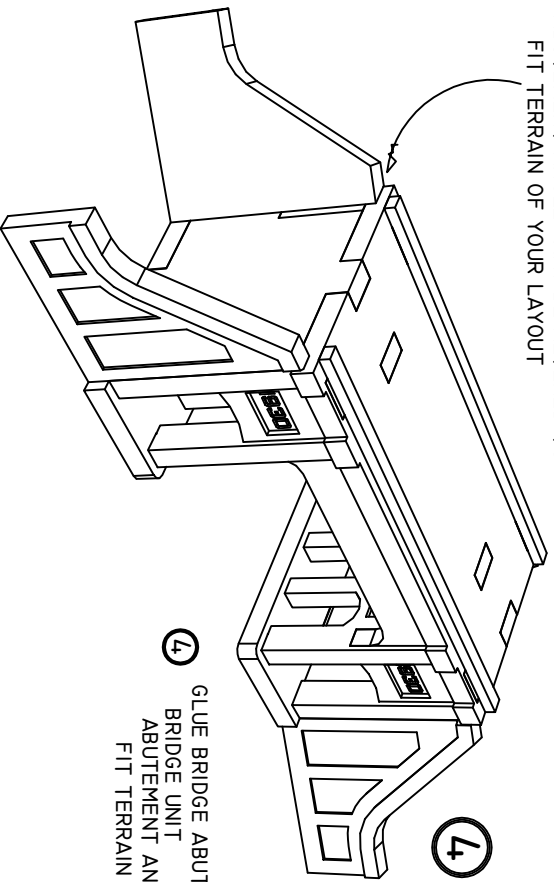


③ AFTER FILING TO ENSURE FIT BRUSH GLUE INTO SLOTS & INSERT ROAD BED INTO PILLAR SLOTS PLACE & GLUE BALLAST CURBS OVER PILLAR SLOTS AS ILLUSTRATED



ASSEMBLED BRIDGE

ABUTMENT ANGLE MAY BE ALTERED TO FIT TERRAIN OF YOUR LAYOUT



④ GLUE BRIDGE ABUTMENTS TO ENDS OF BRIDGE UNIT ABUTMENT ANGLE MAY BE ALTERED TO FIT TERRAIN OF YOUR LAYOUT